

## A SAFE DEDUSTING OF SCALES



Zewafi 3 in ATEX Design Zone 20/22



Zewafi 5 – round version –  
galvanized

**Zewafi:  
Optionally in ATEX  
Design**

The Stanelle Filter Type **ZEWAFI** is a fully automatic filter with lateral mounted pressure vessel for dedusting of scales.

The ZEWAFI is equipped with pressure valve, solenoid valve. Required operation air pressure 2 – 4 bar. The maximum standard operation temperature is 100 °C. In connection with Stanelle Mixing filter type Mixfi, the Zewafi / Mixfi is a proper / intelligent solution for mixing plants with weighing systems.

**Area of application**

The filter cartridges are available in different material qualities for different products. After opening of the self-safety lock door the assembly of the cartridges can be done easily without tools. The polyester and Teflon coated surface of the cartridge filter allows a low Rest Quantity of dust in the clean gas

- Economic dedusting of scales especially cement scales.
- Very compact design.
- Big maintenance door for easy cleaning.
- Different designs / sizes.
- Dust will be released back to weighed quantity
- High dedusting level (*rest of dust < 5 mg/m<sup>3</sup>*).
- Control by others
- Option: Stanelle control FTS 3-4

**Details / design**

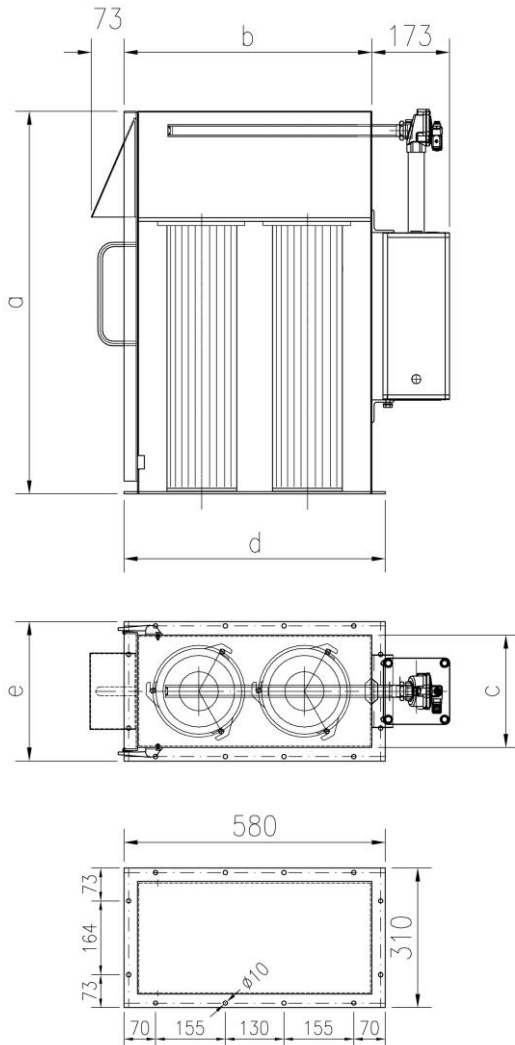
- Housing: constructional steel, metal sheet, painted, RAL 9006.white alumina
- Option: material: S235 galvanized, stainless steel ANSI 304 / 316 on request  
Glas bead blasted

**Surface treatment**

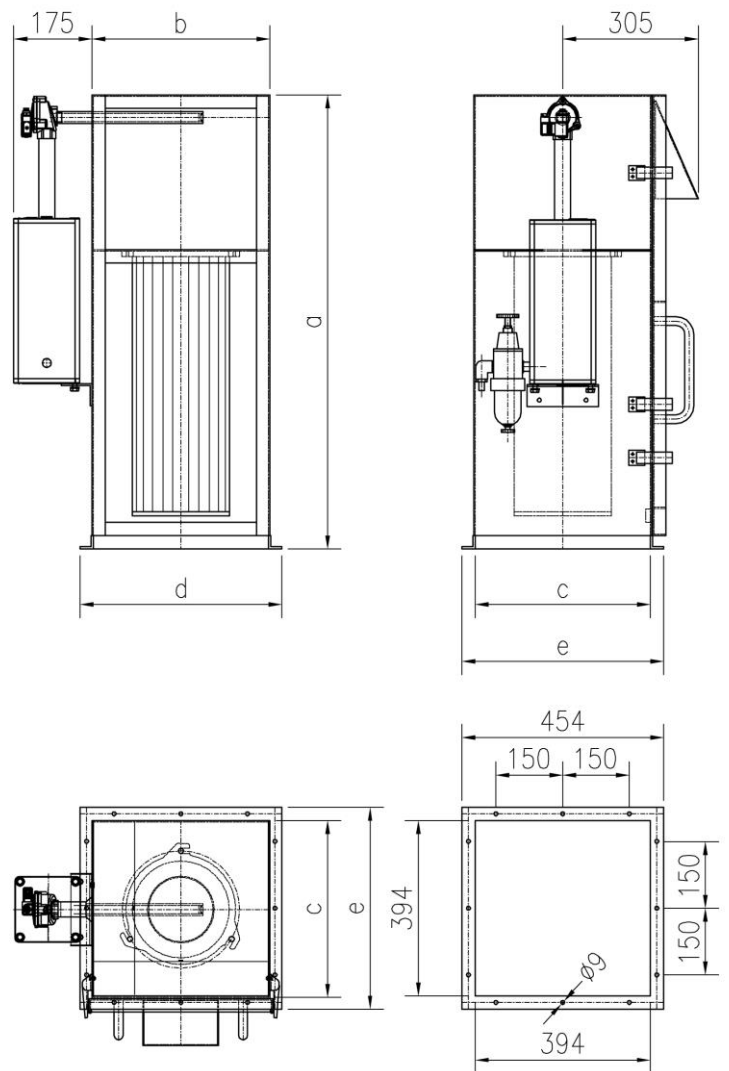
Dimensions Zewafi (mm)

Type	Zewafi 3	Zewafi 4	Zewafi 5	Zewafi 5 round version	Zewafi 6
a	1020	850	1420	1490	1250
b	400	548	400	465	548
c	400	250	400	350	250
d	454	580	454	435	580
e	454	310	454	435	310

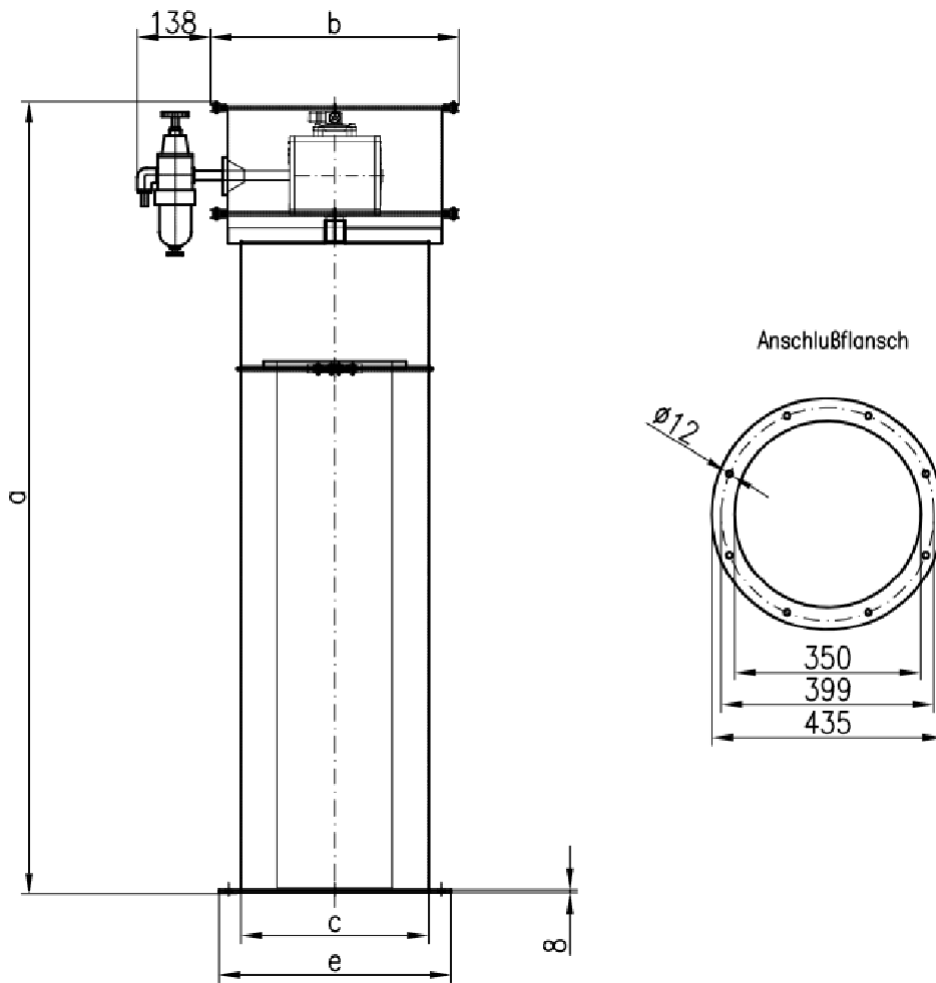
Dimension sheet Zewafi 4 / 6



Dimension sheet Zewafi 3 / 5



Dimension sheet Zewafi 5 – round version



Technical data Zewafi

Type	Zewafi 3	Zewafi 4	Zewafi 5	Zewafi 5 Round version	Zewafi 6
Capacity Nm <sup>3</sup> /h	150	250	250	250	300
Maximal temperature	100°C resp acc. to application				
No. of filter cartridges	1	2	1	1	2
size / mm	225 x 600	150 x 600	225 x 1000	225 x 1000	150 x 1000
Filter material	Polyester				
No of solenoid valve	1	1	1	1	1
Operation pressure	Min. 2 bar, max. 4 bar				
Air pressure fitting	spout 12 mm				
Air consumption	90 Nltr / min				
weight / kg (ca.)	60	65	70	40	80

No. of type means approx. size of filter m<sup>2</sup>.

**Article number**

Type	Zewafi 3	Zewafi 4	Zewafi 5	Zewafi 5 round version	Zewafi 6
Standard	722 10 293	722 10 354	722 10 501	722 10 333	722 10 502
ATEX 20/22	722 10 509	722 10 510	722 10 511	722 10 333-02	722 10 512

**Filter cartridges**

Type	Zewafi 3	Zewafi 4	Zewafi 5	Zewafi 5 round version	Zewafi 6
Standard	722 10 550	722 10 006	722 10 001	722 10 006	722 10 173
ATEX 20/22	722 10 551	722 10 018	722 10 087	722 10 087	722 10 088

**Other sizes / design on request.**

**In your request , please mention product data / data sheet.**

**NOTE**

