

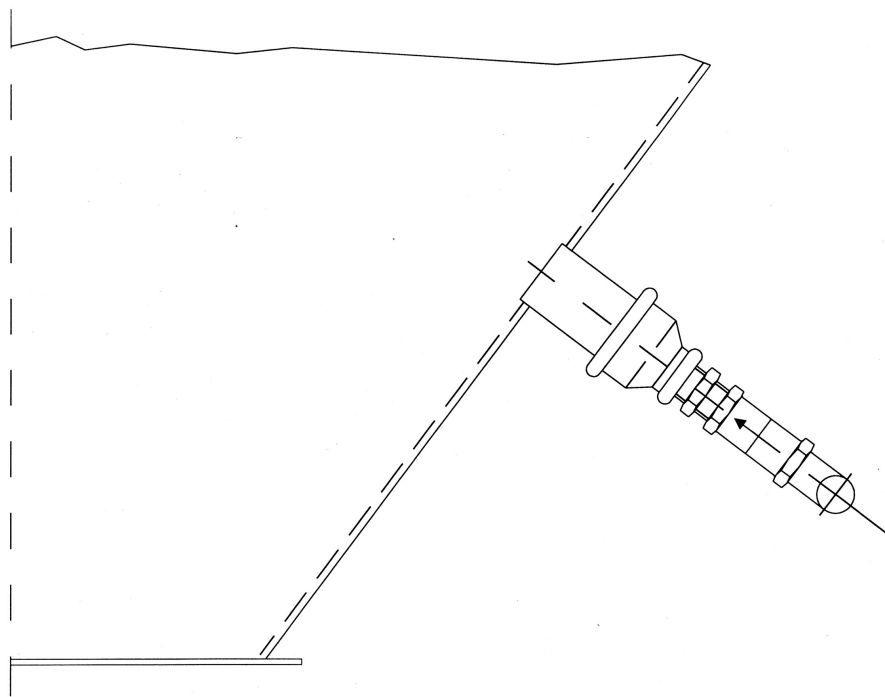
## PNEUMATIC DISCHARGE DEVICE AIR INJECTOR LOOSENING SYSTEM

The air injector loosening system is used to fluidize lazy flowing, technically dry, non-sticky, powdery products. The advantage of the air injector loosening system is that the injectors are not located directly in the stream of bulk material and **can be replaced from the outside**. Use in a series of pulses while discharging material is recommended.

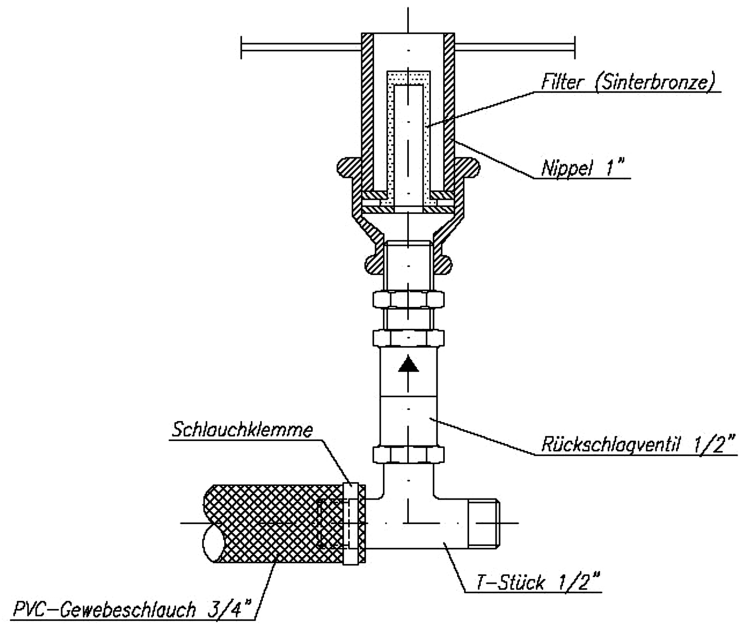
### Areas of Application

- 3, 4 or 6 special injectors with check valve, for installation into silo cone.
- Plastic reinforced tube, filter pressure reducing unit, assembled solenoid valve with mounting clamp for installation on silo cone or silo bracket
- The pre cleaned air (max. operating pressure of 5 bar) is connected on site to the strainer with a suitable tube. The air flows through the oil and water separator into the pressure reducing unit which throttles the air pressure to the necessary level. By activating the solenoid valve, the compressed-air flows through the plastic reinforced tube to the check valves, which are located directly in front of the air injectors, to finally fluidize the bulk material.
- With on site mounted maintenance unit.

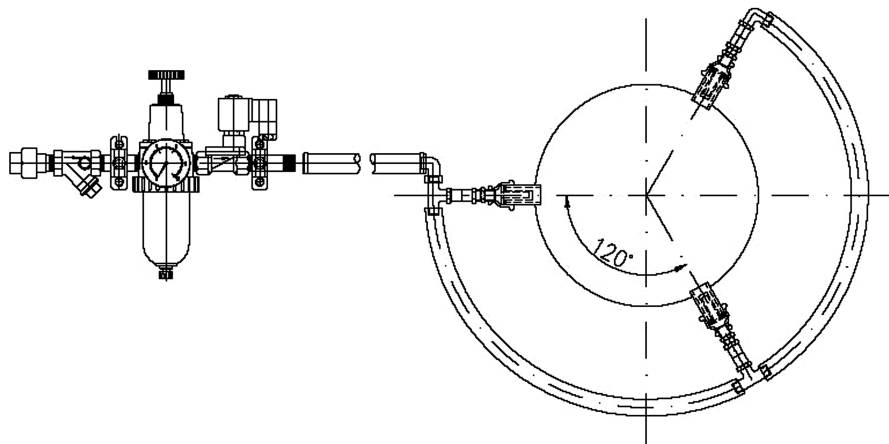
### Details / Explanation



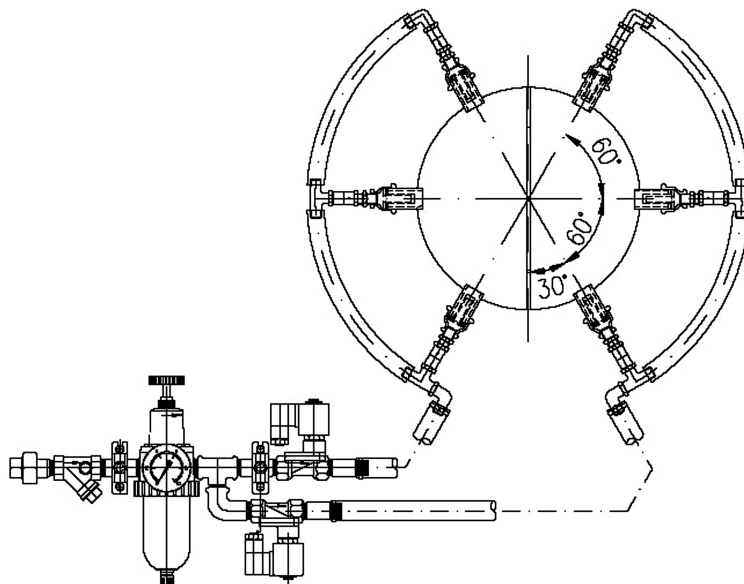
### Installation of the air injectors



Scale drawing



Scale drawing  
With 3 injectors



Scale drawing  
With 6 injectors

**Technical Data**

Number of injectors	3	4	6
Air consumption at 1,5 bar	150 Nltr. / min.		
Operating pressure	1,2 – 2 bar		
Volume flow per injector	ca. 50 ltr. / min.		
Max. temperature strain	80° C		
Number of magnet valves	1		2
Connector	G ½"		
Pulse duration	5 – 7 sec.		
Pause	ca. 10 sec.		
Air	Technical dry, oil and foreign substance free		
Voltage on magnet valve	230 VAC		

**Air and electrical input lead, compressor and fan are not included.**

**Notice**



**Article number**

Number of injectors	3	4	6
Article number	742 10 010	742 10 041	742 10 035

**Article number**

Number of injectors	3	4	6
Accessories: clock relay			
Article number	881 10 007	881 10 007	881 10 007

**Clock relay in plastic body IP 54, 230V 50Hz, for on site installation**

**Notice**

