

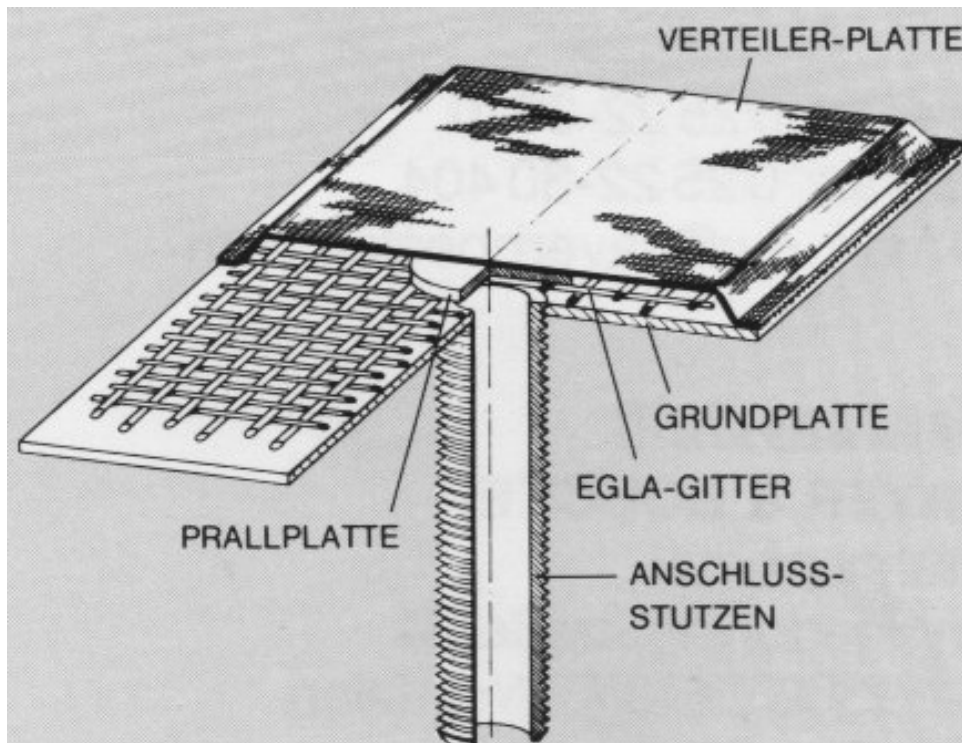
PNEUMATIC DISCHARGE DEVICE AIR CUSHION LOOSENING SYSTEM

The air cushion loosening system is used to fluidize lazy flowing, technically dry, non-sticky, powdery products. Use in a series of pulses while discharging material is recommended.

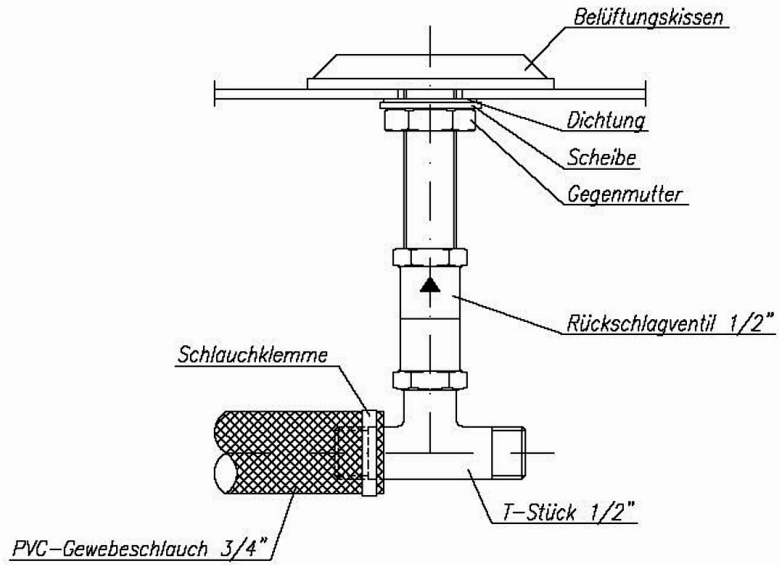
- 3 or 6 special cushions with check valve, for installation into silo cone
- Plastic reinforced tube, filter pressure reducing unit, assembled solenoid valve with mounting clamp for installation on silo cone or silo bracket
- The pre cleaned air (max. operating pressure of 5 bar) is connected on site to the strainer with a suitable tube. The air flows through the oil and water separator into the pressure reducing unit which throttles the air pressure to the necessary level. By activating the solenoid valve, the compressed-air flows through the plastic reinforced tube to the check valves, which are located directly in front of the air injectors, to finally fluidize the bulk material.
- With on site mounted maintenance unit.

Areas of Application

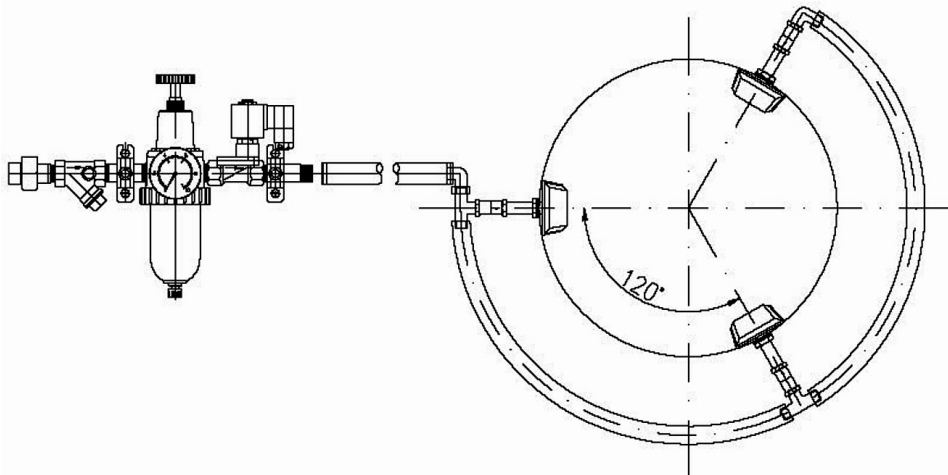
Details / Explanation



Construction of the air cushion

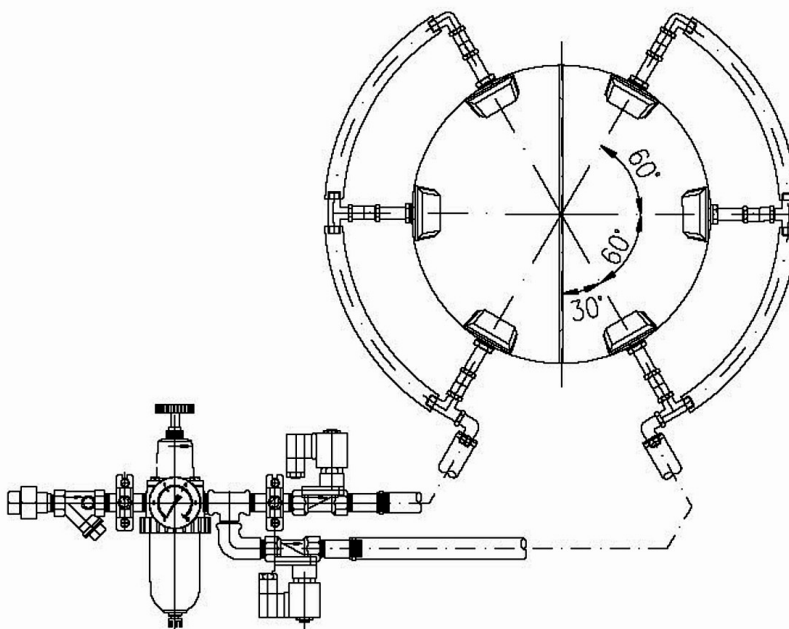


Scale drawing



Scale drawing

With 3 cushions



Scale drawing

With 6 cushions

Technical Data

Number of cushions	3	6
Air consumption at 0,5-1,0 bar	500-1000 Nltr. / min.	
Operating pressure	0,5 – 1,0 bar	
Volume flow per cushion	ca. 170-330 ltr. / min.	
Max. temperature strain	80° C, (higher temperatures possible if demanded)	
Number of magnet valves	1	2
Connector	G ½"	
Pulse duration	5 – 7 sec.	
Pause	ca. 10 sec.	
Air	Technical dry, oil and foreign substance free	
Voltage on magnet valve	230 VAC	

Physical Data

- Chrome nickel steel 1.4301, AISI 304.
- Max. operating temperature of 600° C.

Material grade

Air and electrical input lead, compressor and fan are not included.

Notice



Article number

Number of cushions	3	6
Article number 12 mμ	742 10 016	742 10 042
Article number 40 mμ	742 10 014	742 10 036

Clock relay in plastic body IP 54, 230V 50Hz, for on site installation

Notice



Article number

Number of cushions	3	6
Accessories: clock relay		
Article number	881 10 007	881 10 07