

MODULAR FLAT GATE VALVE TYPE SMFS - HD

COMPONENT FOR SILO AND CONTAINER SYSTEMS
WITH OPTIMAL SEALING – HAND DRIVEN



The SMFS type flat gate is attached to silo and vessel discharges and assures the optimal sealing of stored dusty and granular bulk goods up to 8 mm in size. This modular gate allows the installation of various drive configurations - manual, pneumatic, or electric motor driven - on the same base frame.

Areas of Application

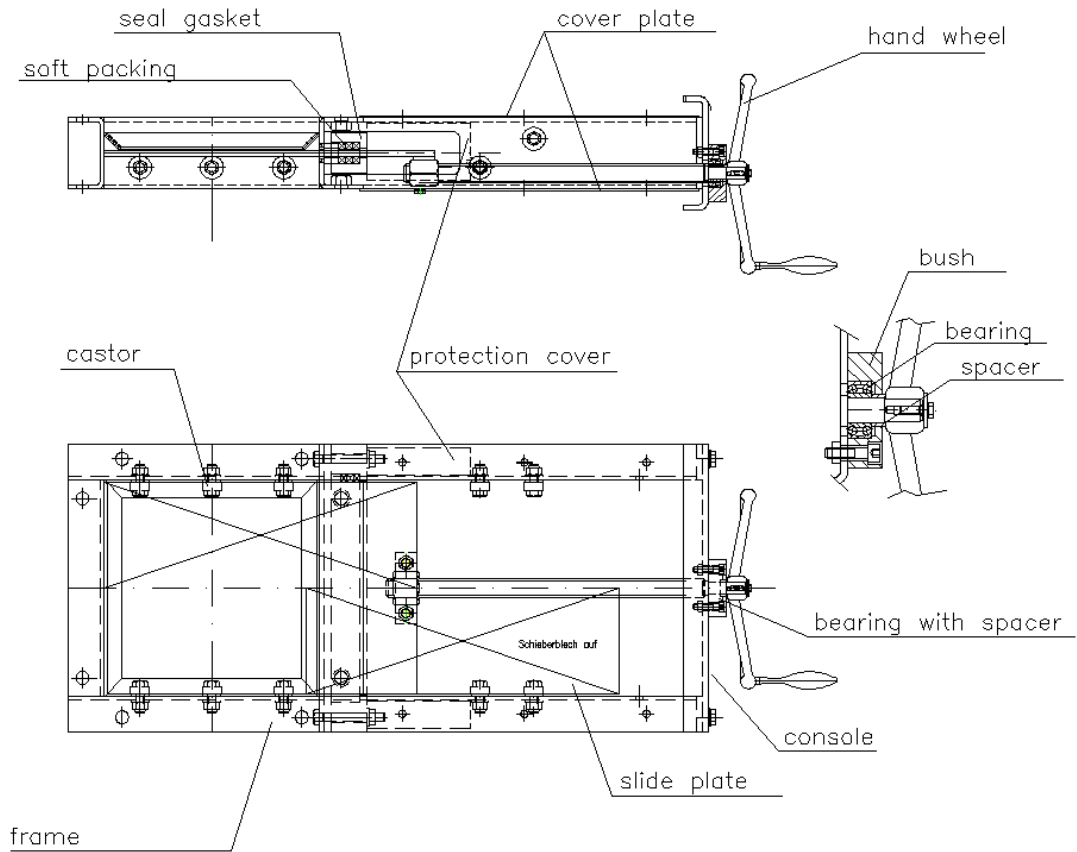
- Grain size up to 8 mm
- High quality gate plate sealing; packing box easily adjustable and exchangeable
- Steel guide on the slide gates upper side
- Large, easily removable protective covers
- Special sizes and designs upon request

Details / Explanation

- Frame steel or stainless steel
- Slide plate made of stainless steel 1.4301, grinded
- Finish hammer tone silver-grey
- Other finishings upon request

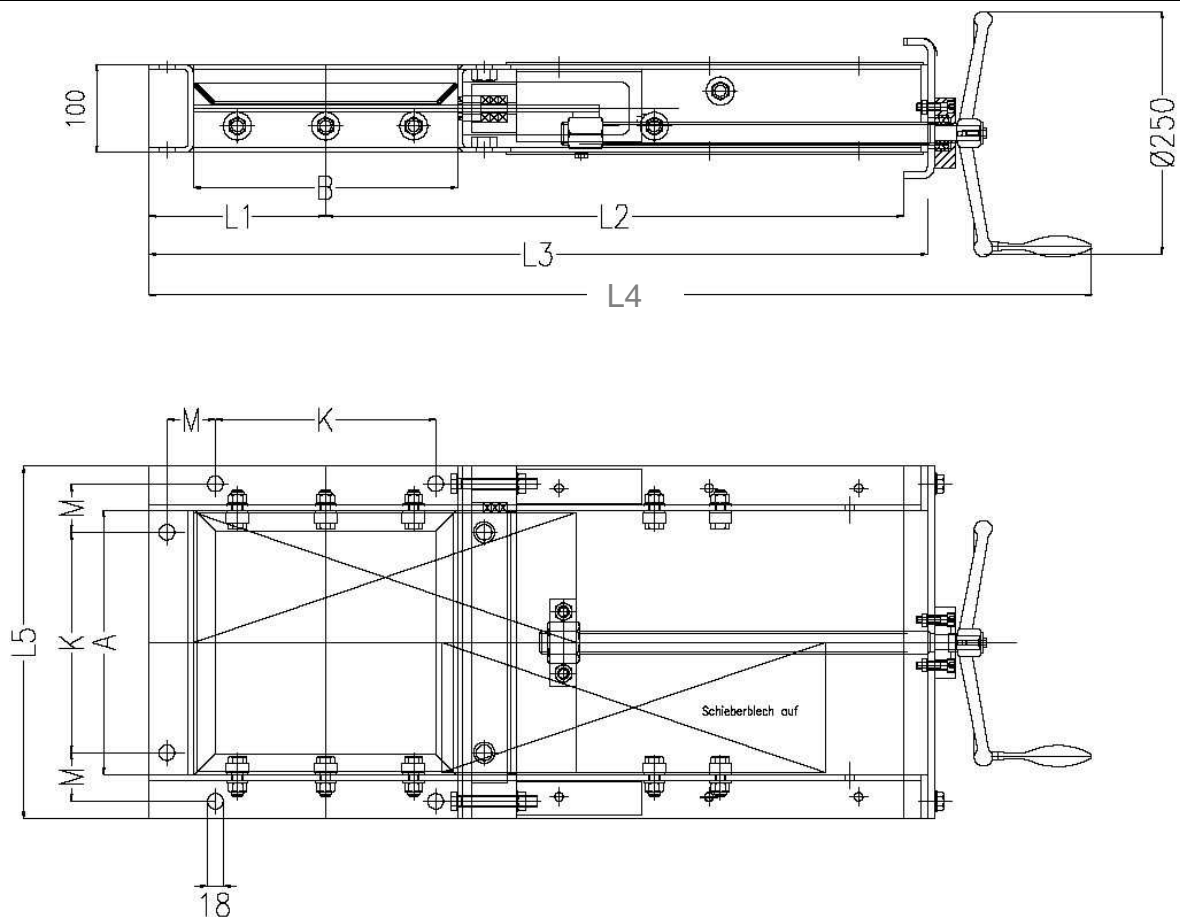
Finish

Spare parts drawing



Dimensional drawing

Shut-off devices
Gate valve - hand driven



Dimensions Flat Gate Type SMFS - HD

NW	200 x 200	300 x 300	400 x 400	500 x 500
A	200	300	400	500
B	200	300	400	500
L1	150	200	250	300
L2	500	650	800	950
L3	690	890	1090	1290
L4	870	1070	1270	1470
L5	300	400	500	500
K	150	250	300	350
M	55	55	80	105

Technical Data Flat Gate Type SMFS - HD

NW	200 x 200	300 x 300	400 x 400	500 x 500
Weight	ca. 40 kg	ca. 46 kg	ca. 55 kg	ca. 65 kg

Article numbers

NW	200 x 200	300 x 300	400 x 400	500 x 500
Article number	71210278	71210269	71210272	71210275

Rights reserved to make technical alterations