

MODULAR FLAT GATE VALVE TYPE SMFS - EP

SHUT-OFF COMPONENT FOR SILO AND CONTAINER SYSTEMS WITH OPTIMAL SEALING – ELECTRO PNEUMATIC



The SMFS type flat gate is attached to silo and vessel discharges and assures the optimal sealing of stored dusty and granular bulk goods up to 8 mm in size. The pneumatically activated flat gate is normally used as a proportional slide gate. This modular gate allows the installation of various drive configurations - manual, pneumatic, or electric motor driven - on the same base frame.

Areas of Application

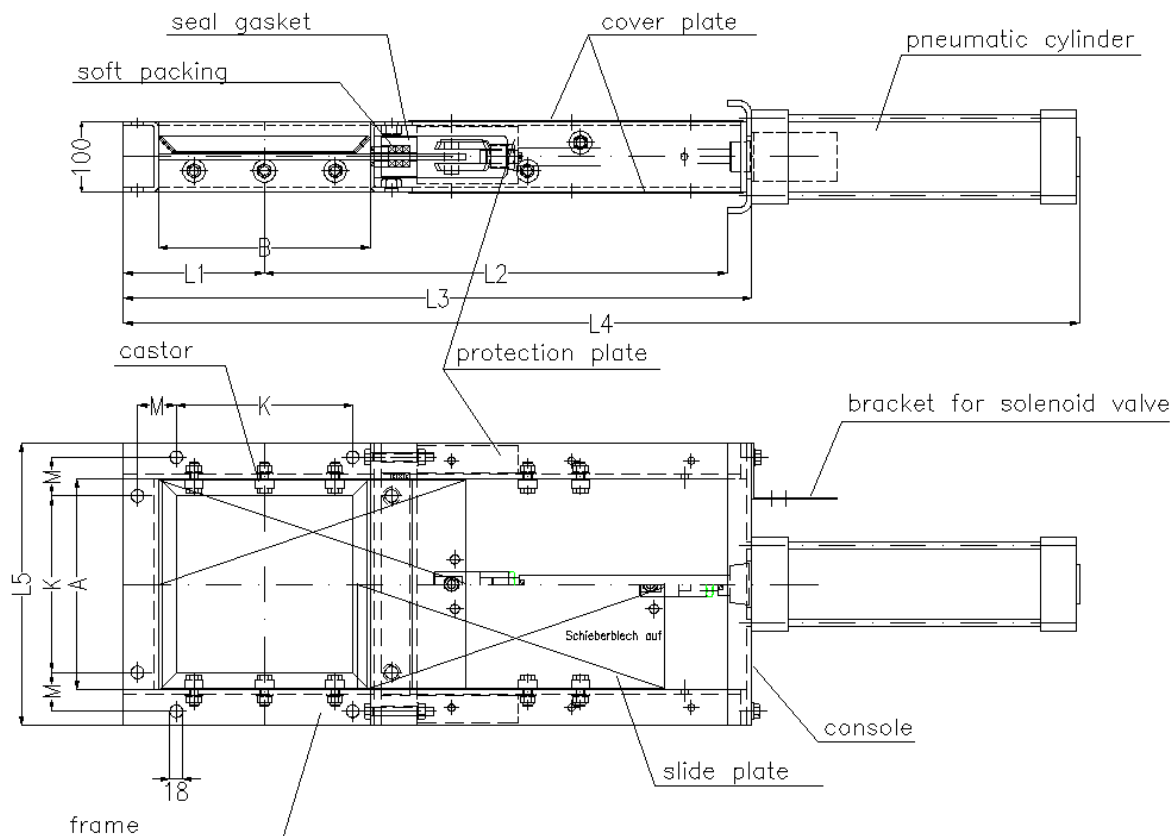
- Grain size up to 8 mm
- High quality gate plate sealing; packing box easily adjustable and exchangeable
- Steel guide on the slide gates upper side
- Large, easily removable protective covers
- Special sizes and designs upon request

Details / Explanation

- Frame steel or stainless steel
- Slide plate made of stainless steel 1.4301, grinded
- Finish hammer tone silver-grey
- Other finishings upon request

Finish

Dimensional & spare parts drawing



Dimensions Flat Gate Type SMFS - EP

| NW | 200 x 200 | 300 x 300 | 400 x 400 | 500 x 500 |
|----|-----------|-----------|-----------|-----------|
| A | 200 | 300 | 400 | 500 |
| B | 200 | 300 | 400 | 500 |
| L1 | 150 | 200 | 250 | 300 |
| L2 | 500 | 650 | 850 | 980 |
| L3 | 690 | 890 | 1090 | 1290 |
| L4 | 1040 | 1340 | 1655 | 1955 |
| L5 | 300 | 400 | 500 | 600 |
| K | 150 | 250 | 300 | 350 |
| M | 55 | 55 | 80 | 105 |

Technical Data Flat Gate Type SMFS – EP

| NW | 200 x 200 | 300 x 300 | 400 x 400 | 500 x 500 |
|--------------|-----------|-----------|-----------|--------------|
| Weight | ca. 48 kg | ca. 55 kg | ca. 65 kg | ca. 95 kg |
| Cylinder | Ø 100 mm | Ø 100 mm | Ø 125 mm | 2 x Ø 125 mm |
| Limit switch | Reed | | | |

Article numbers

| NW | 200 x 200 | 300 x 300 | 400 x 400 | 500 x 500 |
|----------------|-----------|-----------|-----------|-----------|
| Article number | 71210279 | 71210268 | 71210273 | 71210276 |

Rights reserved to make technical alterations