

Slide Gate Valves

Stanelle - always the best solution



Slide Gate Valves for Bulk Materials

Areas of application:

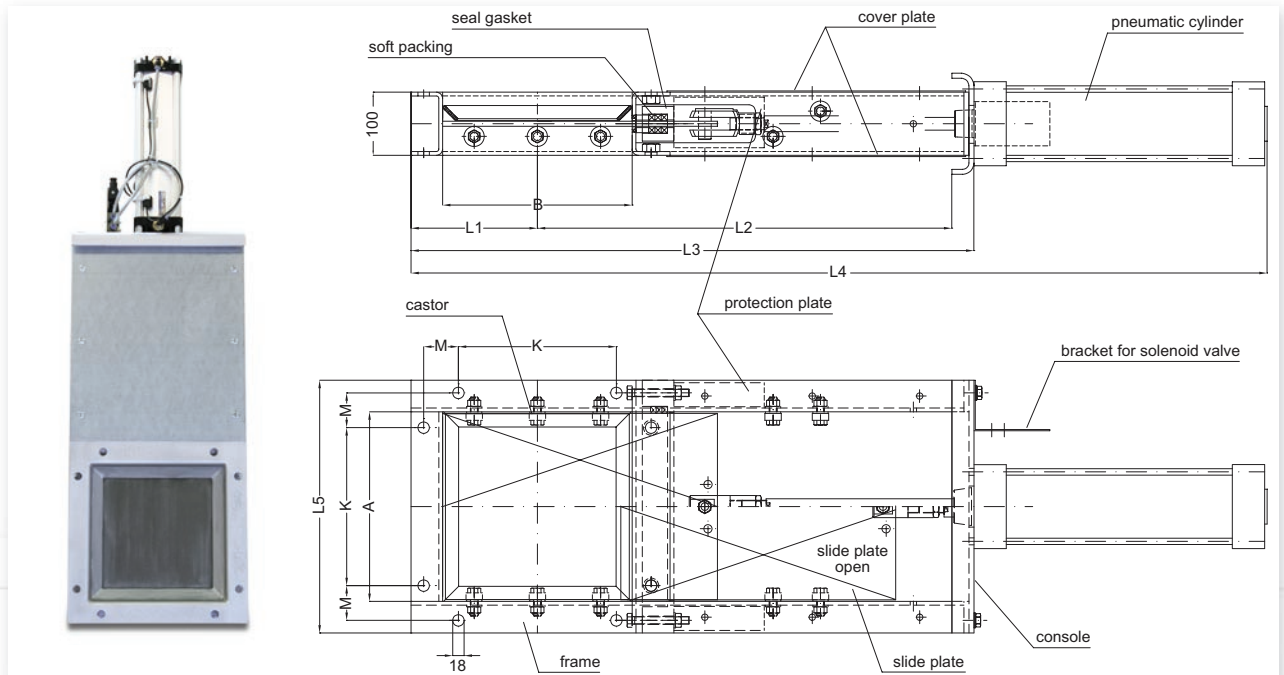
The SMFS type gate valves are attached to silo and vessel discharges and assure optimal sealing of stored dusty and granular bulk goods up to 8 mm grain size. This modular gate allows the installation of manual, pneumatic, or electric motors on the same base frame. The gate plate is guided over rollers sealed on both sides.

The pneumatically and motor activated flat gates can be used as regulating gates.

Applications:

- stone, earth, and mining industry
- foundries
- ceramics and glass industry
- chemicals and animal food production
- concrete and cement production

Type SMFS – EP pneumatically activated



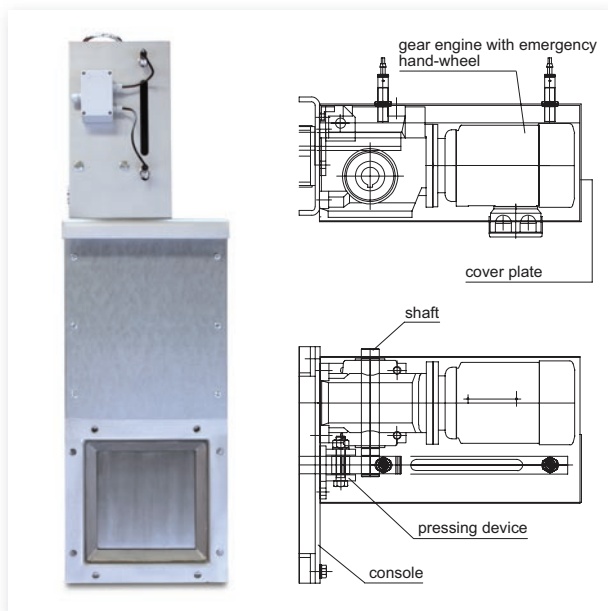
... Optimal sealing

Measurement table:

NW	200 x 200	300 x 300	400 x 400	500 x 500
A	200	300	400	500
B	200	300	400	500
L1	150	200	250	250
L2	450	650	850	850
L3	683	883	1083	1083
L4 - EP	1155	1355	1645	1955
L4 - GM	1135	1335	1635	1935
L4 - HD	870	1070	1270	1470
L5	300	400	500	500
K	150	250	300	300
M	55	55	80	80

Other sizes upon request.

Type SMFS – GM motor driven



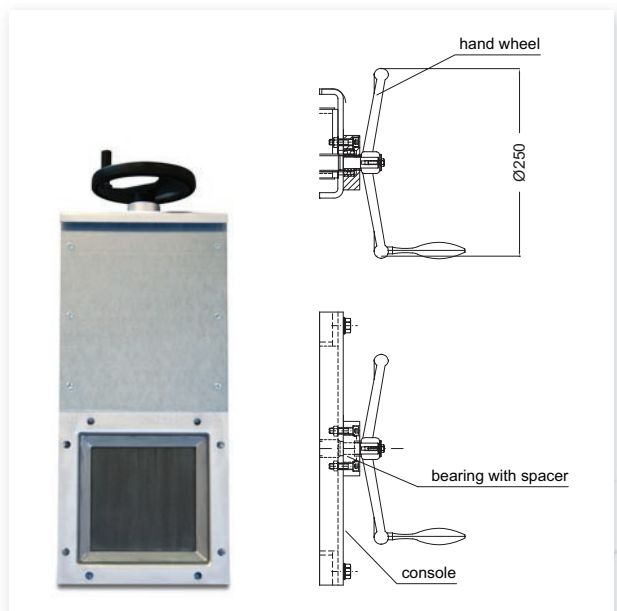
Technical data:

SMFS – EP	200 x 200	300 x 300	400 x 400	500 x 500
Weight (kg)	ca. 48	ca. 55	ca. 65	ca. 95
Cylinder	1	1	1	2
Limit switch	Reed			
Closing speed	ca. 100 mm/s			

SMFS – GM	200 x 200	300 x 300	400 x 400	500 x 500
Weight (kg)	ca. 62	ca. 70	ca. 80	ca. 105
Motor	0,75 kW; 230/400 V (3,4/2,0 A)			
Limit switch	Proximity switch			
Closing speed	ca. 100 mm/s			

SMFS – HD	200 x 200	300 x 300	400 x 400	500 x 500
Weight (kg)	ca. 40	ca. 46	ca. 55	ca. 65
Actuation	Threaded spindle with hand wheel			

Type SMFS – HD hand driven



Materials & finish:

Frame steel or stainless steel
 Slide plate made of stainless steel 1.4301, **grinded**
 Finish hammer tone silver-grey
 Other finishings upon request

Advantages:

- Grain size up to 8 mm
- High end gate plate sealing; soft packing easily adjustable and exchangeable
- Steel guide on the slide gates upper side
- Large, easily removable protective covers
- Special sizes and designs upon request

Stanelle Silos + Automation GmbH
 Langwiesenstr. 6
 74363 Güglingen
 Germany

tel +49 7135 9530-0
 fax +49 7135 9530-17

info@stanelle.de
 www.stanelle.de

Further components:

Dedusting



Controlling



Discharging



Shut-off devices



Loading



Filling

